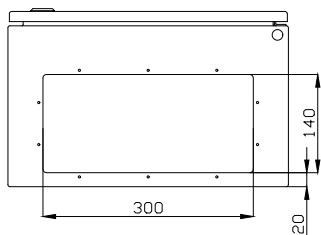
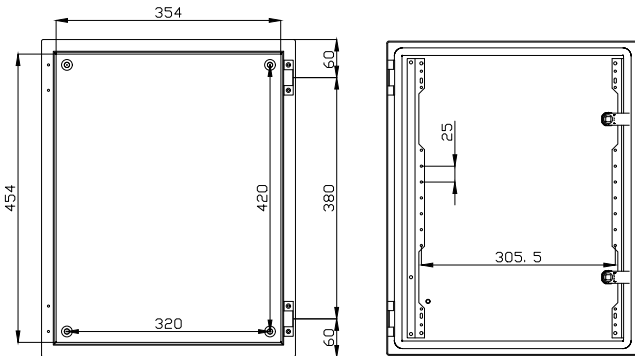




Metalclad Changeover Switch IP55M

Type: GCO3250IP55M (3 Pole)



| | |
|--|-------|
| Thermal current I_{th} at 40°C | 250 A |
| Rated insulation voltage U_i (V) | 800 |
| Rated impulse withstand voltage U_{imp} (kV) | 8 |

Rated operational currents I_e (A)

| Rated voltage | Utilisation category | A/B ⁽¹⁾ |
|---------------|----------------------|--|
| 415 VAC | AC-20 A / AC-20 B | 250/250 |
| 415 VAC | AC-21 A / AC-21 B | 250/250 |
| 415 VAC | AC-22 A / AC-22 B | 250/250 |
| 415 VAC | AC-23 A / AC-23 B | 250/250 |
| 220 VDC | DC-20 A / DC-20 B | 250/250 |
| 220 VDC | DC-21 A / DC-21 B | 250/250 |
| 220 VDC | DC-22 A / DC-22 B | 250/250 |
| 220 VDC | DC-23 A / DC-23 B | 200/200 |
| 440 VDC | DC-20 A / DC-20 B | 250/250 |
| 440 VDC | DC-21 A / DC-21 B | 200 ⁽³⁾ /200 ⁽³⁾ |
| 440 VDC | DC-22 A / DC-22 B | 200 ⁽³⁾ /200 ⁽³⁾ |
| 440 VDC | DC-23 A / DC-23 B | 200 ⁽⁴⁾ /200 ⁽⁴⁾ |
| 500 VDC | DC-20 A / DC-20 B | 250/250 |
| 500 VDC | DC-21 A / DC-21 B | 200 ⁽³⁾ /200 ⁽³⁾ |
| 500 VDC | DC-22 A / DC-22 B | 200 ⁽⁴⁾ /200 ⁽⁴⁾ |
| 500 VDC | DC-23 A / DC-23 B | 200 ⁽⁴⁾ /200 ⁽⁴⁾ |

Operational power in AC-23 A (kW) ⁽¹⁾⁽⁵⁾

| | |
|---|---------|
| At 415 VAC without pre-break in AC ⁽¹⁾ | 132/132 |
|---|---------|

Reactive power (kvar)

| | |
|----------------------------------|-----|
| At 400 VAC (kvar) ⁽⁵⁾ | 115 |
|----------------------------------|-----|

| | |
|--|-----|
| Prospective short-circuit current (kA rms) | 50 |
| Associated fuse rating (A) | 250 |

| | |
|--|----|
| Rated short-time withstand current 0.3s. I_{cw} (kA rms) | 17 |
|--|----|

Short-circuit capacity (without protection)

| | |
|--|------|
| Rated short-time withstand current 1s. I_{cw} (kA rms) | 9 |
| Rated short-circuit making capacity without fuses I_{cm} (kA peak) | 15.3 |

Connection

| | |
|--|------|
| Maximum Cu cable cross-section (mm ²) | 95 |
| Minimum Cu busbar cross-section (mm ²) | 150 |
| Maximum Cu cable cross-section (mm ²) | 32 |
| Maximum Cu busbar width (mm) | 20/- |
| Tightening torque min/max (Nm) | |

Enclosure

| | |
|----------------------|-----------------------------|
| Construction | 2mm cold-rolled steel plate |
| Degree of protection | IP55 |
| Impact resistance | IK10 |
| Temperature range | -25 °C / +40 °C |
| Maximum voltage | 1000 V AC / 1500 V DC |
| Colour | RAL 7035. |
| Height (mm) | 500 |
| Width (mm) | 400 |
| Depth (mm) | 250 |



| | | |
|---|--------------|---------------------------|
| Dokument/document | | Utgava datum/edition date |
| Försäkran om överensstämmelse/ Declaration of conformity | | 29/06/2016 |
| Avdelning/department Kvalite/Quality | | |
| Ansvarig/prepared Magnus Arvidsson | Version 5 | Sida/page 1 av/of 1 |

Supplier/Tillverkare:

GARO AB
Box 203
S-335 25 GNOSJO
Sweden

Telephone: +46 (0)370 33 28 00
Telefax: +46 (0)370 33 28 50

Supplier established within EU/Ombud etablerad inom EG

Supplier of equipment /Materielslag : Enclosed Switchgear

Trade Mark/ Varumärke: GARO

Type Designation / Typbeteckning: GSW..., GFS..., GCO...,CO...,

We hereby declare that our product fulfils the requirements of following EC directives/
Vi intygar härmed att vår produkt uppfyller krav enligt följande EU direktiv:

- The Low Voltage Directive (LVD) 2014/35/EU / Lågspänningsdirektivet (LVD) 2014/35/EU.
- Electromagnetic compatibility (EMC) 2004/108/EU / Elektromagnetisk kompatibilitet (EMC) 2004/108/EG.
- RoHS Directive (RoHS) 2011/65/EU / RoHS direktivet (RoHS) 2011/65/EG.
- No electromagnetic compatibility (EMC) immunity or emission tests are required on the assembly/
Produkten innehåller inte elektroniska apparater som påverkas enligt förbehållen enligt direktivet
(EMC) 2004/108/EG.

The following harmonised standards (latest edition) or technical specifications which comply with good engineering practice in safety matters in force within the EU have been used in the design: /

Följande harmoniserade standarder (senaste utgåva) eller tekniska specifikationer som uppfyller god säkerhetsteknik praxis inom EG har använts i konstruktionen: EN 62; 69-1.'GP '82; 69/5

- The equipment conforms completely with the above stated harmonised standards or technical specifications. /
Materielen överensstämmer helt med ovan angivna harmoniserade standarder eller tekniska specifikationer.

Or/eller

- The equipment confirms only partially with the above stated harmonised standards or technical specifications but complies with good practice in safety matters in force within the EU. /
Materielen överensstämmer endast delvis med ovan angivna harmoniserade standarder eller tekniska specifikationer, men uppfyller god säkerhetsteknik praxis inom EG.

We have product surveillance according to CENELEC's harmonised requirements, documents CCA-201.

Garo AB
Company/Företag

2016-06-29
Date/Datum

Sign/Underskrift

Environmental- and Quality Manager/Kvalitets- och Miljöchef
Position/Befattning

Magnus Arvidsson
Name / Namnförtydligande